

ABCOR[®] FEG[™] PLUS MODULE: 5-HFP-276-PVI

Industrial Tubular Ultrafiltration One-Inch Modules

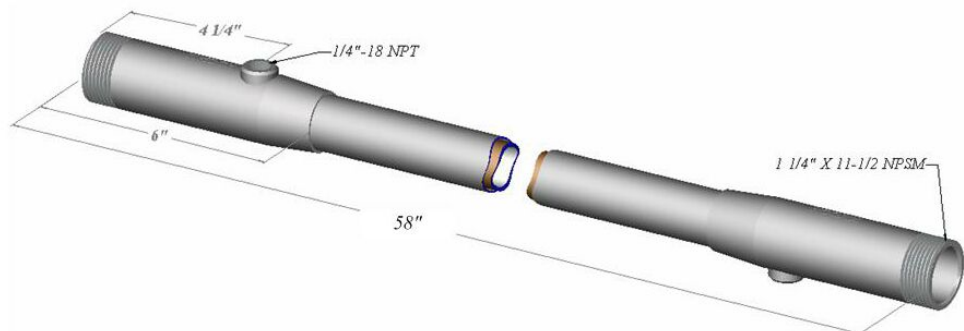
PRODUCT DESCRIPTION	KMS Part Number (KPN):	0711660
	Membrane Chemistry:	PVDF
	Membrane Type:	HFP (negatively charged)
	Membrane Area:	1.1 ft ² (0.10 m ²)
	Molecular Weight Cut-off:	120,000 Dalton (nominal)
	Housing Construction:	CPVC
	Seal:	CPVC Insert (Epoxyed in Place)
	Gasket:	Viton [®]
	Interconnecting Components:	See Reverse

RECOMMENDED OPERATING LIMITS¹	Maximum Inlet Pressure:	90 psi @ 140°F (6.2 bar @ 60°C)
	Minimum Outlet Pressure:	5 psi (0.3 bar)
	Maximum Operating Temperature (at pH 8.0):	140°F (60°C)
	Maximum Permeate Side Back Pressure:	5 psi (0.6 bar)
	Maximum Feed Side Pressure Drop:	5 psi @ 140°F (0.7 bar @ 60°C)
	Allowable pH - Continuous Exposure:	2.0 - 10.0 @ 140°F (60°C)
	Allowable pH - Short Term Exposure:	1.5 - 10.5 @ 140°F (60°C)

* Koch Membrane Systems, Inc. must review operating and cleaning conditions for all new plants as well as changes to any existing plants. Data based on Water at 77° F and a specific gravity of 1.0. Circulation rates exhibit variances of 15%.

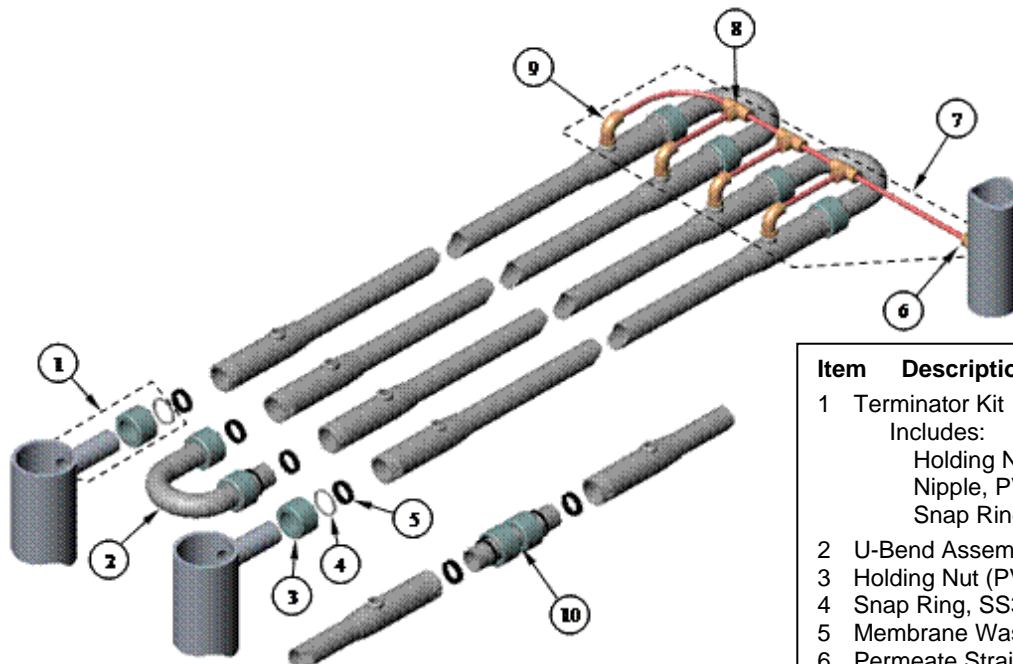
FEED FLOW VS. PRESSURE DROP	Circulation Flow		Crossflow Velocity		Pressure Drop	
	gpm	m ³ /hr	fps	m/s	psi	bar
	19	4.3	7.8	2.4	1.0	0.07
	30	6.8	12.3	3.7	2.2	0.15
	38	8.6	15.5	4.7	3.0	0.21

NOMINAL DIMENSIONS



ANCILLARY PARTS

KMS recommends that these membranes be used with KMS supplied ancillary parts. Sealing is provided by o-rings and gaskets. No additional sealing compound or tape is recommended for use on threaded connections.



Item	Description	KPN
1	Terminator Kit Includes: Holding Nut, PVC (x2) Nipple, PVC (x2) Snap Ring, SS304 (x2)	0230020
2	U-Bend Assembly, CPVC	0020392
3	Holding Nut (PVC)	0020281
4	Snap Ring, SS304	0020310
5	Membrane Washer, Viton®	0020375
6	Permeate Straight Connector	0211800
7	Permeate Pass Kit (for 4 tubes) Includes: O-Ring 2-112 (x4) Adapter ¼ to 3/8 (x1) Permeate Tee Connector (x4) Permeate Elbow Connector (x4) PE tubing	0211786
8	Permeate Tee Connector	0211803
9	Permeate Elbow Connector	0211804
10	Interconnector Kit, CPVC Includes: CPVC interconnector (x1) PVC Nut Holding (x2) Snap-Ring (x2)	0230091

MEMBRANE INCOMPATIBILITY

Prior to exposing the membrane to any chemical, the chemical should be reviewed by Koch Membrane Systems. Aside from the listed chemicals below, synthetic coolants, semi-synthetic coolants, kerosenes, naphtha, gasoline, floc polymers may affect membrane performance.

Chemicals that should be avoided include the following:

- Aprotic Solvent (e.g., Dimethyl Formamide, Dimethyl Acetamide, N-Methyl Pyrolidine, etc.)
- Chlorinated Solvents (e.g., Methylene Chloride, Chloroform, Carbon Tetrachloride, etc.)
- Ketones (e.g., Acetone, Diacetone Alcohol, etc.)
- Silicones or Silicone based Defoamers (e.g., Siloxane)

The information contained in this publication is believed to be accurate and reliable, but is not to be construed as implying any warranty or guarantee of performance. We assume no responsibility, obligation or liability for results obtained or damages incurred through the application of the information contained herein. Refer to Standard Terms and Conditions of Sale and Performance Warranty documentation for additional information.

Koch Membrane Systems, Inc., www.kochmembrane.com

Corporate Headquarters: 850 Main Street, Wilmington, Massachusetts 01887-3388, USA, Tel. Toll Free: 1-888-677-5624, Telephone: 1-978-694-7000, Fax: 1-978-657-5208
 European Headquarters: Koch Chemical Technology Group Ltd., The Granary, Telegraph Street, Stafford ST17 4AT, United Kingdom, Telephone: +44-178-527-2500, Fax: +44-178-522-3149

• San Diego, California • Aachen, Germany • Lyon, France • Madrid, Spain • Milan, Italy • Wijnegem, Belgium • Beijing & Shanghai, China • Mumbai, India • Melbourne, Australia • Singapore • Sao Paulo, Brazil • Manama, Kingdom of Bahrain •

Viton® is a registered trademark of DuPont Dow Elastomers, LLC
 ABCOR® is a registered trademark of Koch Membrane Systems, Inc.
 Koch Membrane Systems, Inc. is a Koch Chemical Technology Group, LLC company.
 © 2004 Koch Membrane Systems, Inc. All rights reserved worldwide. 07/07