

ABCOR[®] - ULTRA-COR[®] MODULE: 5-HFM-251-UVP

Industrial Ultrafiltration Multitubular Modules

PRODUCT DESCRIPTION	KMS Part Number (KPN):	0713095
	Membrane Chemistry:	PVDF
	Membrane Type:	HFM (neutral)
	Membrane Area:	3.6 ft ² (0.34 m ²)
	Molecular Weight Cut-off:	100,000 Dalton (nominal)
	Housing Construction:	PVC
	Seal:	PVC Insert (Epoxied in Place)
	Gasket:	Viton [®]
Interconnecting Components:	See Reverse	

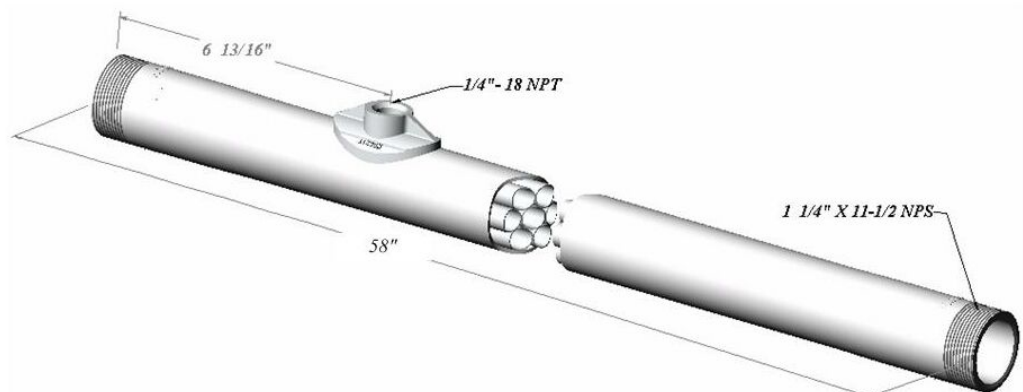
OPERATING AND DESIGN INFORMATION*	Maximum Inlet Pressure:	70 psi @ 120°F (4.8 bar @ 49°C)
	Minimum Outlet Pressure:	5 psi (0.3 bar)
	Maximum Operating Temperature (at pH 8.0):	120°F (49°C)
	Maximum Permeate Side Back Pressure:	5 psi (0.3 bar)
	Maximum Feed Side Pressure Drop:	3.3 psi @ 120°F (0.4 bar @ 49°C)
	Allowable pH - Continuous Exposure:	2.0 - 10.0 @ 120°F (49°C)
	Allowable pH - Short Term Exposure:	1.5 - 10.5 @ 120°F (49°C)

* Consult KMS Process Technology for specific applications.

FEED FLOW VS. PRESSURE DROP	Circulation Flow		Crossflow Velocity		Pressure Drop	
	gpm	m ³ /hr	fps	m/s	psi	bar
	23	5.2	6.4	2.0	1.0	0.08
	34	7.7	9.5	2.9	2.2	0.15
	42	9.5	11.7	3.6	3.0	0.21

* Koch Membrane Systems, Inc. must review operating and cleaning conditions for all new plants as well as changes to any existing plants. Data based on Water at 77° F and a specific gravity of 1.0. Circulation rates exhibit variances of 15%.

NOMINAL DIMENSIONS



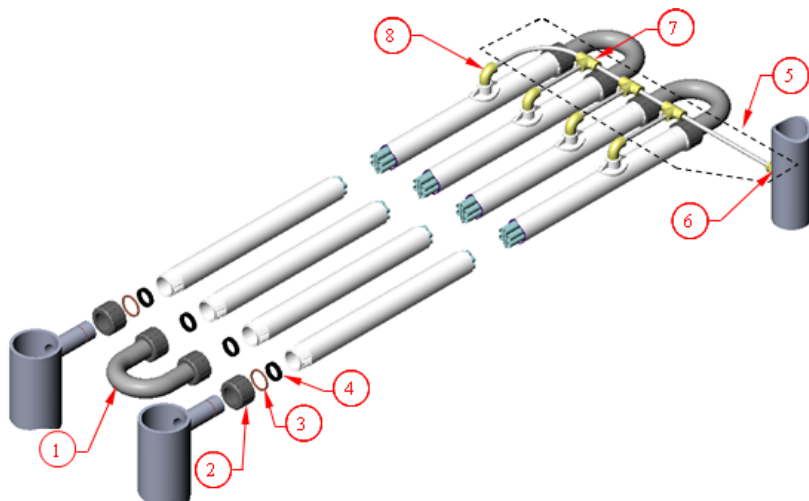
ANCILLARY PARTS

KMS recommends that these membranes be used with KMS supplied ancillary parts.

Sealing is provided by o-rings and gaskets. No additional sealing compound or tape is recommended for use on threaded connections.

Item	Description	KPN
1	U-Bend Assembly (PVC)	0020390
2	Holding Nut	0020281
3	Snap Ring	0020310
4	Membrane Washer (Viton)*	0020375
5	Permeate Pass Kit	0211798
6	Permeate Straight Connector	0211800
7	Permeate Tee Connector	0211803
8	Permeate Elbow*	0211804

* Supplied with Membrane



MEMBRANE INCOMPATIBILITY

Prior to exposing the membrane to any chemical, the chemical should be reviewed by Koch Membrane Systems. Aside from the listed chemicals below, synthetic coolants, semi-synthetic coolants, kerosenes, naphtha, gasoline, floc polymers may affect membrane performance.

Chemicals that should be avoided include the following:

- Aprotic Solvent (e.g., Dimethyl Formamide, Dimethyl Acetamide, N-Methyl Pyrrolidine, etc.)
- Chlorinated Solvents (e.g., Methylene Chloride, Chloroform, Carbon Tetrachloride, etc.)
- Ketones (e.g., Acetone, Diacetone Alcohol, etc.)

Silicones or Silicone based Defoamers (e.g., Siloxane)

The information contained in this publication is believed to be accurate and reliable, but is not to be construed as implying any warranty or guarantee of performance. We assume no responsibility, obligation or liability for results obtained or damages incurred through the application of the information contained herein. Refer to Standard Terms and Conditions of Sale and Performance Warranty documentation for additional information.

Koch Membrane Systems, Inc., www.kochmembrane.com

Corporate Headquarters: 850 Main Street, Wilmington, Massachusetts 01887-3388, US, Tel. Toll Free: 1-888-677-5624, Telephone: 1-978-694-7000, Fax: 1-978-657-5208
 European Headquarters: Koch Chemical Technology Group Ltd., Units 3-6, Frank Foley Way, Stafford ST16 2ST, GB, Telephone: +44-178-527-2500, Fax: +44-178-522-3149

• San Diego US • Aachen DE • Lyon FR • Madrid ES • Milan IT • Wijnegem BE • Beijing & Shanghai CN • Mumbai & Chennai IN • Melbourne & Sydney AU • Singapore • Sao Paulo BR • Manama BH •

The FLOW LINES DESIGN, ABCOR, ULTRA-COR and KOCHKLEEN are registered trademarks of Koch Membrane Systems, Inc. in the US and other countries.

The STYLIZED K is a registered trademark of Koch Industries, Inc. in the US and other countries.

Viton® is a registered trademark of DuPont Dow Elastomers, LLC

Koch Membrane Systems, Inc. is a Koch Chemical Technology Group, LLC company.

© 2009 Koch Membrane Systems, Inc. All rights reserved worldwide. 11/09